

**Coffee System**  
**Pony Professional espresso coffee POD**  
**machine, 2 groups for 4 pods/cups,**  
**Steamair**

ITEM # \_\_\_\_\_

MODEL # \_\_\_\_\_

NAME # \_\_\_\_\_

SIS # \_\_\_\_\_

AIA # \_\_\_\_\_


**602539 (PONY4PODSA)**

 Professional espresso coffee  
 POD machine, 2 groups for  
 4 pods/cups, 10,1 liter boiler,  
 2 programmable dosing  
 program

### Short Form Specification

**Item No.** \_\_\_\_\_

The PONY ESPRESSO POD is a very practical and effective solution for professionals who choose single-serve E.S.E. coffee POD to make espresso drinks. Coffee extraction quality and volume results are consistent through the days, weeks and months of operation on all selected drink sizes and quantities. The insertion of pods is very easy from the front top by the cup warmer, and the used pods are collected into a practicable and removable drawer. Drinks can be selected on the touch control box equipped with up to 6 programmable dosing selection, and with the possibility to make up to 4 espressos at a time per group. With its hot water and steam outlets, and a large boiler capacity, the PONY ESPRESSO POD has a truly professional application. Foaming and heating milk to a smooth consistency for perfect cappuccinos and lattes, is made very easy with the SteamAir automatic wand.

### Main Features

- Professional espresso coffee POD machine.
- Coffee extraction quality and volume results are consistent through the days, weeks and months of operation on all selected drink sizes and quantities.
- The insertion of pods is very easy from the front top by the cup warmer, and the used pods are collected into a practicable and removable drawer.
- Drinks can be selected on the touch control box equipped with up to 6 programmable dosing selection, and with the possibility to make up to 4 espressos at a time per group.
- Foaming and heating milk to a smooth consistency for perfect cappuccinos and lattes, is made very easy with the SteamAir automatic wand.
- 2 groups for 4 pods/cups.
- 2 programmable dosing program.
- Automatic cleaning cycle.
- Programmable water.

### Construction

- Stainless steel body.
- 10.1 liter boiler.
- Removable used pods drawer.
- Adjustable cup holder.

### Optional Accessories

- Side milk refrigerator 8 liter nominal capacity for up to 4 liter milk containers PNC 871014
- Side milk refrigerator 8 liter nominal capacity for up to 4 liter milk containers with digital display PNC 871015
- Raised feet kit PNC 871041

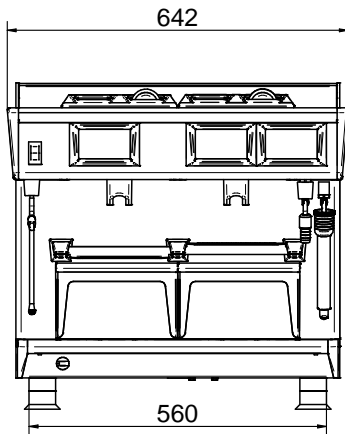
**APPROVAL:** \_\_\_\_\_



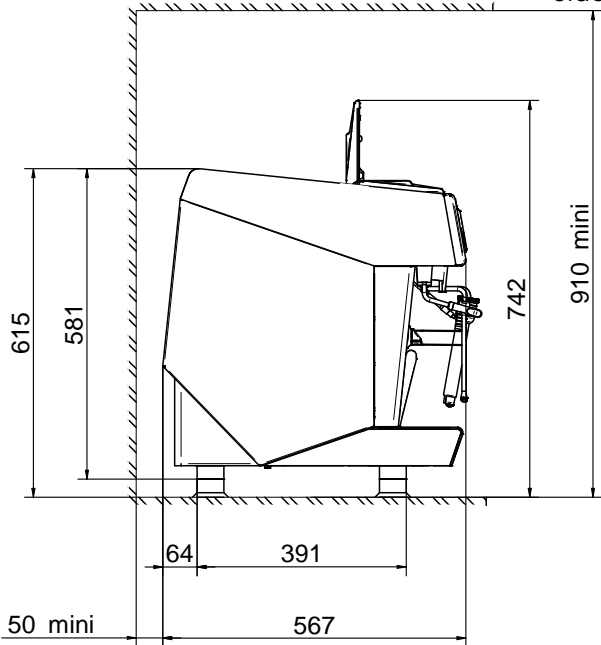
**Electrolux**  
PROFESSIONAL

**Coffee System**  
**Pony Professional espresso coffee POD**  
**machine, 2 groups for 4 pods/cups, Steamair**

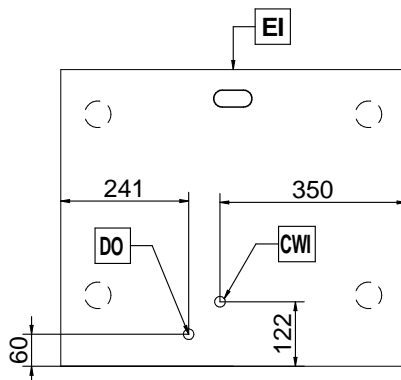
Front



Side



Top



**Electric**

Supply voltage:  
602539 (PONY4PODSA) 400 V/3N ph/50 Hz  
Electrical power max.: 4.7 kW  
Plug type: Cable without plug

**Water:**

Cold water temperature  
(min/max): 5 / 60 °C

**Key Information:**

External dimensions, Width: 642 mm  
External dimensions, Depth: 570 mm  
External dimensions, Height: 580 mm  
Net weight: 65 kg  
Shipping volume: 0.69 m<sup>3</sup>

**Sustainability**

Current consumption: 7 Amps



Coffee System  
Pony Professional espresso coffee POD machine, 2 groups for 4 pods/  
cups, Steamair  
The company reserves the right to make modifications to the products  
without prior notice. All information correct at time of printing.

2023.11.18